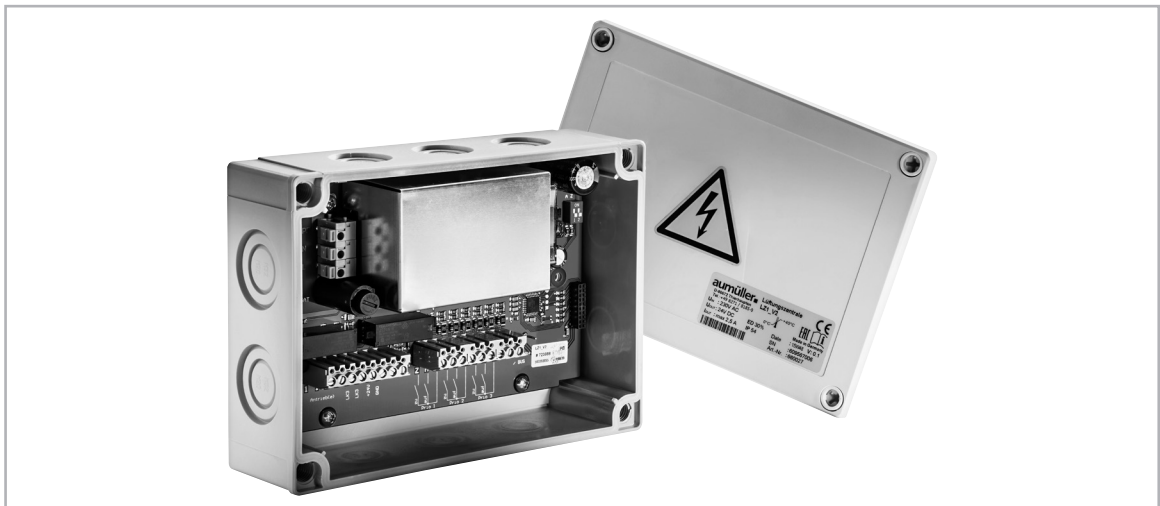


aumüller

Installation and Commissioning Instructions



LZ1 - 2,5 A - (KNX) - NATURAL VENTILATION CONTROL UNIT - 24 V DC

CE

01	<p>Abbreviations Warning and Safety Symbols Target Groups, Intended Use Safety Instructions, Guidelines and Standards</p>	3 - 8
02	<p>2,5 A Circuit diagram: LZ1 - 2,5 A - (KNX) - Natural ventilation control unit 24 V DC</p>	9
03	<p>Storage and Demounting Disposal Warranty and After-Sales Service Liability</p>	10
04	<p>Certificates and Declaration</p>	11
05		
06		
07		
08		

ABBREVIATIONS

Index of abbreviations	
These abbreviations are used consistently throughout this instruction. Unless stated differently, all dimensions indicated in this document are in mm. General tolerances in accordance with DIN ISO 2768-m.	
aP	Surface mounting
WxHxD	Width x Height x Depth
COM	Common connection
DIN	German Institute for Standardisation
EN	European Standard
IN	Input
OUT	Output
PG	Price group
RAL	Central European Colour Standard

Figures	
AC	Alternating current (50Hz / 60Hz)
DC	Direct current
I	Electric current
L	Length
NC	Contact „closed“ (normally closed)
NO	Contact „opened“ (normally opened)
P	Electric power
R	Electrical resistance
U	Electric voltage

Scale units	
°C	Degree Celsius
A	Amperes
Ah	Amp-hours
kg	Kilogram
m	Metres
min	Minutes
mm	Millimetres
N	Newtons
s	Seconds
Pcs.	Pieces
V	Volts
PU	Packaging Units
Vpp	Residual ripple (Voltage Peak-Peak)
W	Watts
Ω / k Ω	Ohm / Kiloohms

**WARNING**

Once the assembly and commissioning have been completed, the installer of a „power-operated windows and door“ machine must hand these instructions over to the end user. The end user must store these instructions in a safe place for further reference and use, if required.

WARNING AND SAFETY SYMBOLS IN THESE INSTRUCTIONS:

The symbols used in the instructions shall be strictly observed and have the following meaning:

DANGER Failure to comply with the warning notes results in irreversible injuries or death.

WARNING Failure to comply with the warning notes can result in irreversible injuries or death.

CAUTION Failure to comply with the warning notes can result in minor or moderate (reversible) injuries.

NOTE Failure to comply with the warning notes can lead to damage to property.

Useful note for an optimum installation.



Caution / Warning
Danger due to electric current.



Caution / Warning
Risk of crushing and entrapment during device operation.



Attention / Warning
Risk of damage to / destruction of Control Unit, drives and / or windows.

TARGET GROUP

These instructions are intended for personnel trained in electrical engineering and skilled operators of systems for natural ventilation via windows, who are knowledgeable of operating modes and remaining risks of the system.

 **WARNING**

This device is not intended for use by persons (including children) with physical, sensory or mental limitations or lacking experience and / or knowledge, unless

 **WARNING**

they are supervised by a person who is responsible for the safety or were instructed by him on the usage of this equipment. Children should be supervised to ensure that they are not playing with this device.

Cleaning and operator's maintenance may not be performed by children without supervision.

INTENDED USE

Area of application / Scope of application

This control device is intended for power-feeding and controlling electromotive operated windows in facade and roof areas. **Furthermore**, the electromotive operated window ensures **fresh air supply for the natural ventilation** of the building.

NOTE

By installing the drive to a movable element of the window a so-called "**power-operated window**" is created which, according to the Machinery Directive 2006/42/EG, represents a machine. The control device is designated for driving such a window. Where it seems reasonable, these installation instructions point out sensibly predictable hazards and risks resulting from a power operated window.

 **WARNING**

Attention must be paid to possible hazards when used with tilting or rotating windows, whose secondary closing edges are located at less than 2,5 m installation height above the floor, under consideration of the Control Unit and usage!

We as manufacturers are well aware of our duties and responsibilities regarding the development, manufacturing and placing of safe window drives on the market and consistently implement them. Ultimately, however, we have no direct influence on the usage of our drives. Therefore, as a precaution, we point out the following:

Intended use according to the Declaration of Conformity

The control device is intended for stationary installation and electrical connection as part of a building.

In accordance with the attached Declaration of Conformity the control device, in combination with electromotive drives from AUMÜLLER, is released for its intended use in a power-operated window **without an additional on-site risk assessment** for the following use:

- Natural ventilation
 - with an installation height of the drive of at least 2,5 m above the floor, or
 - with an opening width at the HSK of the operated element of < 200 mm by a simultaneous speed of < 15 mm/s at the HSK in closing direction.
- Application as NSHEV (natural smoke and heat exhaust ventilators) for ventilation without dual purpose for ventilation in accordance with EN12101-2.

- The **constructor or his agent** (architect, specialist planner) **are obligated** by law **to evaluate the hazards to persons**, originating from the usage, installation position, opening parameters as well as the planned type of installation of the power operated window and the external Control Unit, **already in the planning phase and to establish necessary protective measures.**
- The **constructor / manufacturer** of the machine "power-operated window" **must implement** the planned **protective measures** at the installation site or, if not yet established, **determine them** by their own responsibility and detect or **minimize possible remaining risks.**

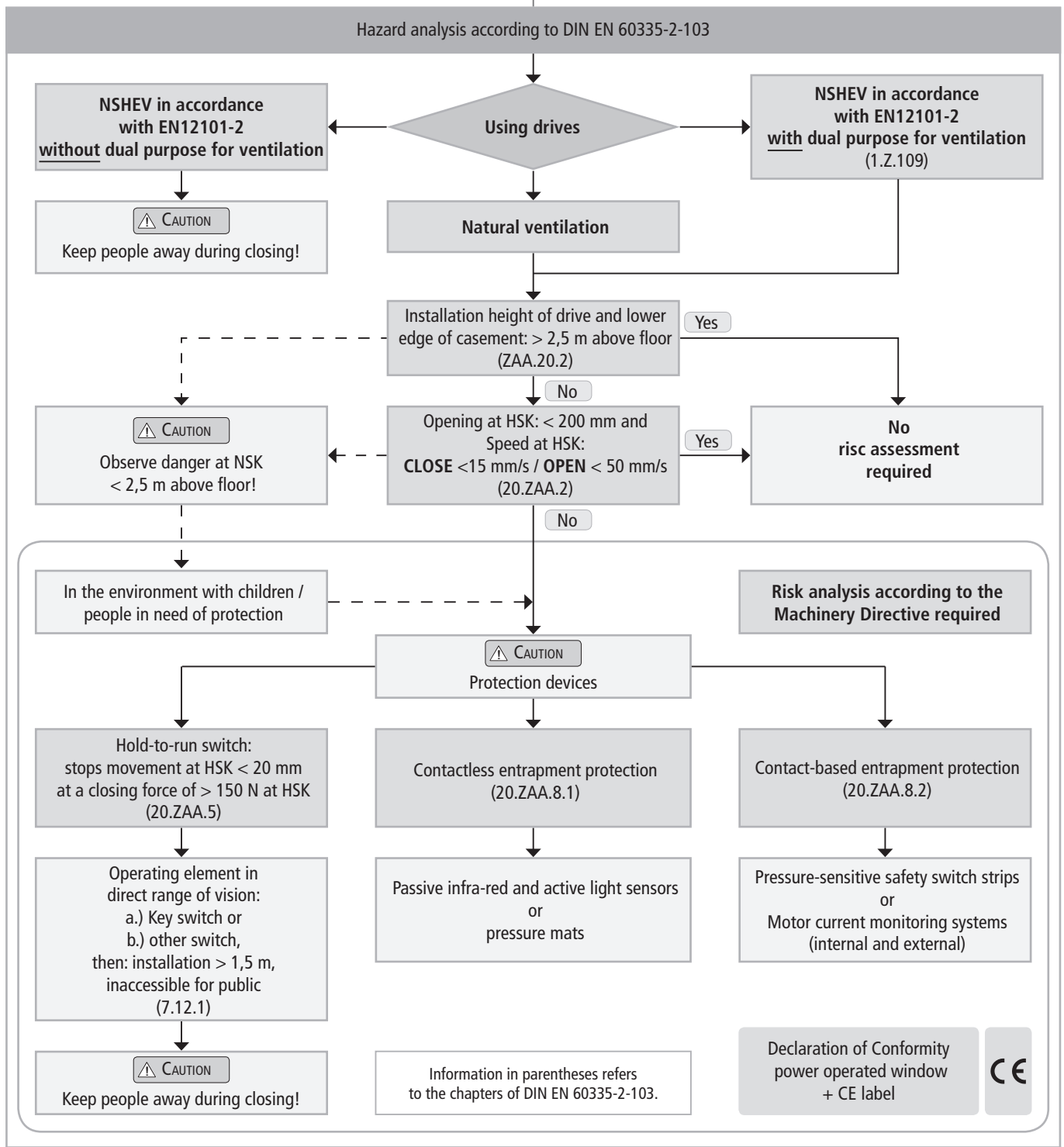
NOTE

By connecting the window drives with a control device and their operation the constructor of the complete system becomes the manufacturer of the power-operated window! If necessary, he is obligated to perform a risk assessment of the complete system in accordance with the Machinery Directive 2006/42/EG when the utilization or operation of the control device or the connected window drives deviate from their intended use!

The need for a risk assessment at the installation site due to reasonably foreseeable misuse. A risk assessment in accordance with the Machinery Directive 2006 / 42 / EG by activation of the power-operated window for natural ventilation is absolutely necessary under the following conditions:

- the installation height of the drive and lower edge of casement < 2,5 m above the floor **and** one of the following conditions:
- the opening width at the HSK > 200 mm, **or**
- the closing speed at the HSK is > 15 mm/s, **or**
- the opening speed at the HSK is > 50 mm/s, **or**
- the closing force at the HSK is > 150 N

The following flowchart can be applied, which also includes the protective measures in accordance with EN 60335-2-103/2016-05.



NOTE

We recommend using exclusively system components by **AUMÜLLER**, because their compatibility is carefully checked in the factory. **AUMÜLLER** shall not assume liability for the system-compatible functioning of third party components. Applications and connections other than explicitly described in these instructions

NOTE

require the express written consent of **AUMÜLLER**. Utilization of applications and components not expressly authorized by **AUMÜLLER** are considered as unintended use even if their perfect functioning is proven at commissioning (e.g. approval under building law).

SAFETY INSTRUCTIONS

 **WARNING**

It is important to follow these instructions for the safety of persons. These instructions shall be kept in a safe place for the entire service life of the products.



Risk of crushing and entrapment!
Electromotive operated windows can close automatically!
The compressive force is absolutely sufficient to crush fingers in case of carelessness.

Area of application

The control device shall only be used according to its intended use. For additional applications consult the manufacturer or his authorized dealer.

Installation

These instructions address expert and safety-conscious electricians and / or qualified personnel knowledgeable of the electrical and mechanical installation of drives and control systems.

Mounting material

The required mounting material must be modified to fit the occurring load.

Crush and shear points

To avoid injuries, **crushing and shear points** between casement and frame must be secured **against entrapment up to an installation height of 2,5 meters above the floor** with appropriate measures. This can be achieved e.g. by using contact-based or contactless protective devices against entrapment, which stop the motion through contact or through interruption by a person. A warning symbol at the opening element must indicate this clearly.

Routing cables and electrical connection

Routing or installing electrical lines and connections may be performed only by approved specialist companies. Never operate drives, Control Units, operating elements and sensors at operating voltages and connections contrary to the specifications of the manufacturer.

NOTE

The planning and calculation of the wiring system is the responsibility of the builder or his agent or the authorized constructor and must be performed according to the statutory provisions.

All relevant instructions shall be observed for the installation, specifically:

- VDE 0100 Setting up high-voltage systems up to 1000 V
- VDE 0815 Wiring cables
- Specimen Guideline on Conduits German designation (MLAR).



The power line on-site must be secured separately and provided all poles separators. After opening of the system housing voltage carrying parts are exposed. The system must be separated from the power supply and battery voltage before each intervention in the Control Unit of the system.

The types of cable, cable lengths and cross-sections shall be selected in accordance with the manufacturer's technical data. If necessary, the cable types shall be coordinated with the competent local authorities and energy supply companies. Low-voltage lines (24 V DC) shall be routed separate from the high-voltage lines. Flexible cables may not be flush-mounted. Freely suspended cables shall be equipped with strain reliefs.



Cables must be laid such way that they cannot be sheared off, twisted or bent during operation. It is recommended to perform an insulation measurement of the system's line network and to document this.

Clamping points shall be checked for tightness of threaded connections and cable ends. Access to junction boxes, clamping points and external drive control systems shall be ensured for maintenance work.

Commissioning, operation and maintenance

After the installation and after each modification in the set up all functions shall be checked with a trial run. After the installation of the system is completed the end-user shall be introduced to all important operating steps. If necessary, he must be advised of all remaining risks / dangers.

The end-user shall be instructed in intended use of the drives and, if necessary, the safety instructions. The end-user shall be specifically instructed that no additional forces, except for the pressure and tension in the opening and closing direction of the casement, may be applied to the spindle, chain or lever of the drive.

NOTE

Post warning signs!

During the proper assembly of drives with mounting elements at a window, and the connection to an external Control Unit, the interfaces resulting from mechanical and electrical performance characteristics of single elements shall be observed.



WARNING

It is imperative that the information provided in the installation instructions of the controlled window drives are observed and adhered to!



CAUTION

Other persons must be kept away from the casement when a hold-to-run switch (pushbutton) is operated or when a window, which has been opened by a smoke and heat exhaust system, is closing!



CAUTION

The operating element of hold-to-run switches must be installed within direct view from the window, but apart from moving elements. If the switch is not a key-operated switch it must be installed at a minimum height of 1,5 m and inaccessible to the public!



CAUTION

Do not allow children to play with permanently mounted control devices and keep remote controls out of reach for children!



Before working on the system it must be completely disconnected from the power supply and emergency power supply (e.g. batteries) and secured against unintentional reactivation. While working in the Control Unit the workplace must be secured to prevent unauthorized access. It must be ensured that unauthorized personnel are unable to open the Control Unit.

The installation instructions of system components are part of the documentation for the complete system and must be kept accessible for authorized qualified personnel, together with the installation and operating instructions, for the entire service life of the system.



WARNING

Check all functions of the system before releasing it for operation.

Replacement parts

System components shall only be replaced with spare parts of the same manufacturer. There is no liability, warranty or customer service if third-party parts are used. Exclusively original spare parts of the manufacturer shall be used for expansions.

Ambient conditions

The product may not be subjected to impacts or falls, or to vibrations, moisture, aggressive vapors or other harmful environments, unless the manufacturer released it for one or more of these environmental conditions.

• Operation:

Ambient temperature: -5 °C ... +40°C

Relative humidity: < 90% less 20°C;

< 50% less 40°C;

no formation of condensation

• Transport / Storage:

Storage temperature: 0°C ... +30°C

Relative humidity: < 60%

Accident prevention regulations and workmen's compensation insurance guidelines

For work on or in a building or building part the provisions and instructions of the respective accident prevention regulations (UVV and workmen's compensation insurance guidelines (BGR /ASR) shall be observed and adhered to.

Declaration of Conformity

The control device is manufactured and inspected for its intended use in accordance with the European guidelines. The respective Declaration of Conformity is on hand. In case the use or operation of the control device or the connected window drives deviate from this a risk assessment must be performed for the complete system of power-operated windows and a Declaration of Conformity according to Machinery Directive 2006/42/EG issued as well as a CE labeling obtained.

GUIDELINES AND STANDARDS

The most recent state of country-specific laws, regulations, provisions and standards must absolutely be observed during the installation and for electrical connections.

These are for instance:

State building code with special construction regulations such as:

- Industrial construction guideline
- Venue regulations, etc.

MLAR - Sample Guideline on Conduits German designation

TAB (technical connection conditions) of Utility companies

German Regulations for Occupational Insurance Schemes, such as:

- ASR A1.6 and 1.7 (substitute for BGR 232)

Additional standards and guidelines, such as:

EN 60335-2-103 Safety of household and similar electrical appliances

EN 60730-1 Automatic electrical controls

DIN 4102-12 Functional integrity of electric cable systems

VDE 0100 Installation of high-voltage systems up to 1000 V

VDE 0298 Use of cables

VDE 0815 Wiring cables (for telecommunication and data processing systems)

VDE 0833 Alarm systems

Accident prevention regulations, in particular:

- VBG 1 „General rules“ and
- VBG 4 „Electrical systems and equipment“.

For placing on the market, the installation and the operation outside Germany the relevant national laws, regulations, standards and safety provisions apply.

The constructor is responsible for the proper installation or operation and the issuing of a Declaration of Conformity according to European guidelines.

CIRCUIT DIAGRAM:

LZ1 - 2,5 A - (KNX) - NATURAL VENTILATION CONTROL UNIT 24 V DC

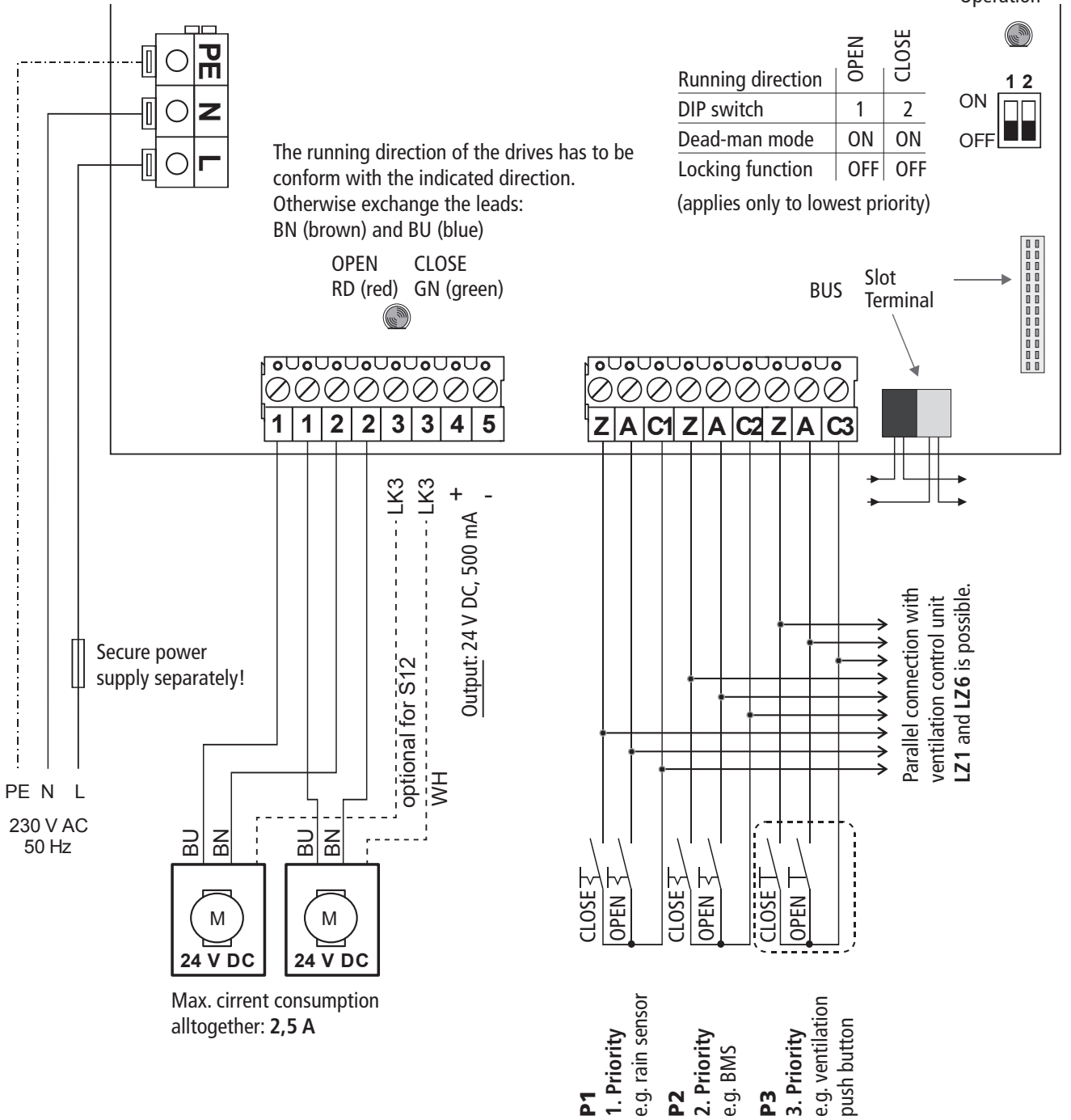
LZ1 - 2,5 A - Natural ventilation control unit 24 V DC



Only connect when disconnected from the mains power supply! Switch off power supply and secure against reconnection!



Only 24 V DC drives may be connected.



Plug in of ventilation button, as well as weather, time and temperature controls or signals of building management system.

BK	=	black
BN	=	brown
BU	=	blue
GN	=	green
RD	=	red
WH	=	white

DEMOUNTING AND DISMANTLING

The Control Unit must be stored only in locations protected from moisture, severe contamination and temperature fluctuations (not above 30°C). The packaging must not be removed until the control system is to be installed. Disconnect the batteries and store them separately after the control device has already been in operation.

If the Control Unit is permanently decommissioned the statutory provisions for destruction, recycling and disposal must be observed. The control device contains plastic, metal, electrical components and batteries. Replaced batteries contain highly toxic pollutants and may therefore only be disposed of at collection points prescribed by the legislator.



Before dismantling the Control Unit, isolate it completely from the mains!

DISPOSAL

According to the European Directive 2012/19 / EU on Waste Electrical and Electronic Equipment (WEEE) and its transposition into national law, obsolete electrical appliances must be collected separately and sent for environmentally friendly recycling.



WARRANTY AND CUSTOMER SERVICE

In principle, our:

„General Terms for the Supply of Products and Services of the Electrical Industry (ZVEI)“.

„Terms for the used software“.

The warranty is compliant with legal provisions and applies to the country in which the product has been acquired.

The warranty includes material and manufacturing defects incurred during normal use.

The warranty period for delivered material is twelve months.

Warranty and liability claims for personal injuries or tangible damages are excluded, if caused by one or more of the following:

- Improper use of the product.
- Improper installation, commissioning, operation, maintenance or repair of the product.
- Operating the product, if installed defectively or incorrectly, or with its safety and protection devices not working .
- Ignoring instructions and installation requirements in these instructions.
- Unauthorised constructional modifications the product or accessories.
- Disaster situations due to the effects of foreign bodies and force majeure.
- Wear and tear.

Point of contact for possible warranty claims or for repair parts or accessories is the responsible branch office or the responsible person at

AUMÜLLER AUMATIC GMBH.

Contact data are available at our homepage

(www.aumueller-gmbh.de)

LIABILITY

We reserve the right to change or discontinue products at any time without prior notice. Illustrations are subject to change. Although we take every care to ensure accuracy, we cannot accept liability for the content of this document.

CERTIFICATE AND DECLARATION OF CONFORMITY

We declare under our sole responsibility that the product described under "Data sheet" is in conformity with the following directives:

- 2014/30/EU
Directive relating to Electro-Magnetic Compatibility
- 2014/35/EU
Low voltage Directive



We further declare that the drive is an incomplete machine within the meaning of the European Machinery Directive (2006/45/EG).

Technical file and declaration at firm:

AUMÜLLER AUMATIC GmbH
Gemeindewald 11
D-86672 Thierhaupten

Ramona Meinzer
Managing Director (Chairman)

NOTE:

The proof of the application of a quality management system is for company:

AUMÜLLER AUMATIC GmbH
according to the certification basis **DIN EN 9001** as well the "Declaration of Incorporation and Conformity" can be accessed via the QR code or directly on our homepage:
(www.aumueller-gmbh.de)



TRANSLATION OF THE ORIGINAL INSTRUCTIONS (GERMAN)

Important note:

We are aware of our responsibility, which is why we present life-supporting and value-preserving products with greatest possible conscientiousness. Although we make every effort to ensure that the data and information are as correct and up-to-date as possible, we still cannot guarantee that they are free from mistakes and errors.

All information and data contained in this document are subject to alterations without prior notice. Distribution and reproduction of this document as well as the use and disclosure of its content is not authorised unless expressly approved. Offenders will be held liable for the payment of damages. All rights reserved in the case of a patent award or utility model registration.

Basically the General Terms and Conditions of **AUMÜLLER AUTOMATIC GmbH** apply to all offers, supplies and services.

The publication of these assembly and commissioning instructions supersedes all previous editions.

AUMÜLLER AUMATIC GMBH
Gemeindewald 11
86672 Thierhaupten

Tel. +49 8271 8185-0
Fax +49 8271 8185-250
info@aumueller-gmbh.de

www.aumueller-gmbh.de

9000015201_V2.4_KW22/20